

Bollards

Complete range of parking bollards



Fixed Bollards

Gas Bollards

Automatic Bollards

Crash Rated Fixed Bollards

Crash Rated Automatic Bollards



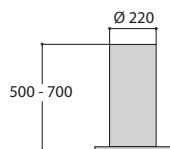
tuned to you

Ranch B - C

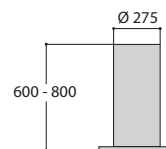
→ Fixed bollards used for permanent closure of accesses, bolted to the ground, they block accesses and roads or offer protection for sensitive sites. These bollards can be integrated and combined with other bollards of similar shapes and sizes. They have a class-2 type approved highly reflecting adhesive strip. Available also with lights and stainless steel stem.



RANCH B Ø220/500-700 VERN
RANCH B Ø220/500-700 INOX



RANCH C Ø275/600-800
RANCH C Ø275/600-800 INOX



TECHNICAL CHARACTERISTICS

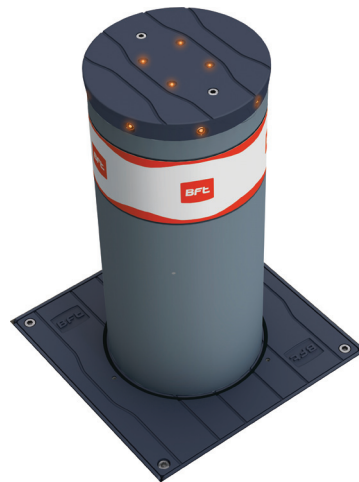
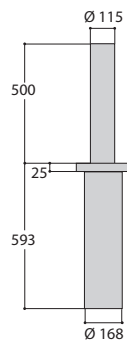
	RANCH B Ø220/500	RANCH B Ø220/700	RANCH C Ø275-600	RANCH C Ø275-800
Rod size	Ø220 mm H: 500 mm	Ø220 mm H: 700 mm	Ø275 mm H: 600 mm	Ø275 mm H: 800 mm
Rod thickness	3 mm	3 mm	3 mm	3 mm
Rod treatment	Cataphoresis	Cataphoresis	Cataphoresis	Cataphoresis
Surface finish	powder painted RAL 7015 + rear-reflecting film H=100 mm	powder painted RAL 7015 + rear-reflecting film H=100 mm	powder painted RAL 7015 + rear-reflecting film H=100 mm	powder painted RAL 7015 + rear-reflecting film H=100 mm
Fixing flange	Ø 340 mm steel, 5 mm thick	Ø 340 mm steel, 5 mm thick	Ø 340 mm steel, 5 mm thick	Ø 340 mm steel, 5 mm thick
Bollard fixing	With 3 fixing screws	With 3 fixing screws	With 3 fixing screws	With 3 fixing screws

Dampy B

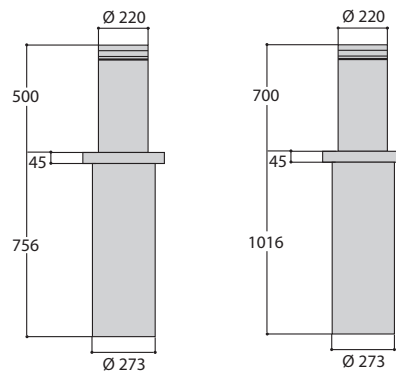
→ These gas-spring operated rising bollards were designed to offer road access control at competitive prices and with an extremely simple operation. They are operated using special keys now used throughout Europe in public places. They are lowered at the press of a foot and are automatically locked into place at the bottom. Given their size and similar appearance, they can be used in mixed installations to cover wide passages managed by both electric and gas operated bollards. The models are available with grey painted RAL 7015 rods, lights cap, adhesive strip H:100 mm. 220 mm diameter models are available also with lights and stainless steel stem.



DAMPY B Ø115/500
DAMPY B Ø115/500 INOX



DAMPY B Ø220/500-700
DAMPY B Ø220/500-700 INOX



TECHNICAL CHARACTERISTICS

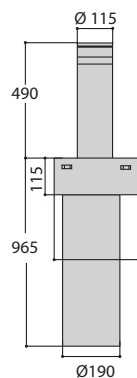
	DAMPY B Ø115/500	DAMPY B Ø220/500	DAMPY B Ø220/700
Rod size	Ø115 mm H: 500 mm	Ø220 mm H: 500 mm	Ø220 mm H:700 mm
Rod thickness	4 mm	6 mm	6 mm
Impact resistance	5,000 JOULES	10,000 JOULES	10,000 JOULES
Break-in proof	30,000 JOULES	60,000 JOULES	60,000 JOULES
Rod treatment	Cataphoresis	Cataphoresis	Cataphoresis
Rod movement	Internal gas spring	Internal gas spring	Internal gas spring
Lifting thrust	100 N	170 N	150 N
Surface finish	grey paint RAL 7015 + rear-reflecting film	grey paint RAL 7015 + rear-reflecting film	grey paint RAL 7015 + rear-reflecting film
Rod locking	with triangle key	with triangle key or special mapping (security key)	with triangle key or special mapping (security key)

Stoppy B

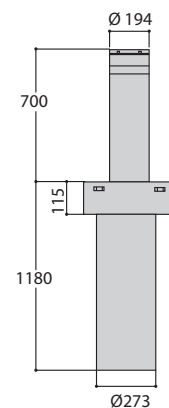
→ Value for money and quality. These are the roots of the new STOPPY B bollards. The result of a careful market survey looking into the assembly techniques and design details that led to the production of a simple bollard that responds to customer needs without neglecting the quality requirements that have always marked BFT products. All at a competitive price. STOPPY B comes in two models: the first, STOPPY B Ø115-500, has a Ø115 mm, 500 mm high rod. It has no light crown but is fitted with a rear-reflecting strip. The second, STOPPY B Ø200-700, has a Ø200 mm, 700mm high rod, a light crown and a rear-reflecting strip.



STOPPY B Ø115/500



STOPPY B Ø200/700



PERSEO CBD dedicated control panel: manages up to 4 bollards in parallel, programming menu on the display, integrated heating element and incorporated receiver.

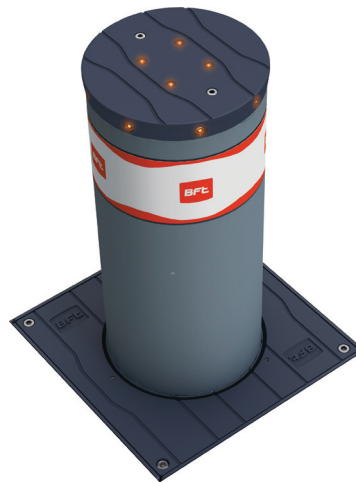
Main accessories: RME 1 BT 24V metal mass detector, one channel / RME 2 230V metal mass detector, two channels/ SPIRA 2x1 magnetic coil 2x1 m

TECHNICAL CHARACTERISTICS

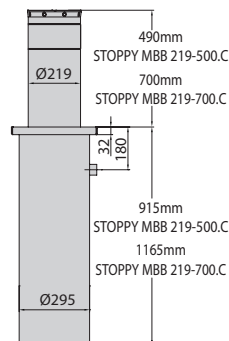
	STOPPY B Ø115/500	STOPPY B Ø200/700
Supply voltage	230V ± 1 0% 50/60 Hz	230V ± 1 0% 50/60 Hz
Hand operated	Manual	Manual
External control unit	External mod. PERSEO CBD	External mod. PERSEO CBD
Work type	500 movements/day	500 movements/day
Rising time	7 seconds	9 seconds
Protection rating	IP 67	IP 67
Impact resistance	6,000 JOULES	6,000 JOULES
Break-in proof	60,000 JOULES	60,000 JOULES
Operating temperature	- 20° C + 60° C	- 20° C + 60° C
Movement	With slow down on opening and closing	With slow down on opening and closing

Stopy Mbb

- 230v AC electromechanical bollard with internal oil-bath gear motor. Stopy-Mbb is the ideal solution for contexts of particular architectural and urban interest, with specially studied colours and a new design for the floor flange and light crown.
- Designed to work in the most extreme conditions, with all metal parts treated with cathaphoresis and the new EPDM seal integrated in the flange and led light crown, which with the bollard lowered, fits perfectly into the floor flange, drastically reducing the entry of waste materials into the bollard housing.
- PERSEO CBD control unit with menu programming on the display, automatic routine servicing warning, simultaneous management of up to 4 bollards, integrated receiver and integrated heating element.



STOPPY MBB
STOPPY MBB INOX



PERSEO CBD dedicated control panel: manages up to 4 bollards in parallel, programming menu on the display, integrated heating element and incorporated receiver.

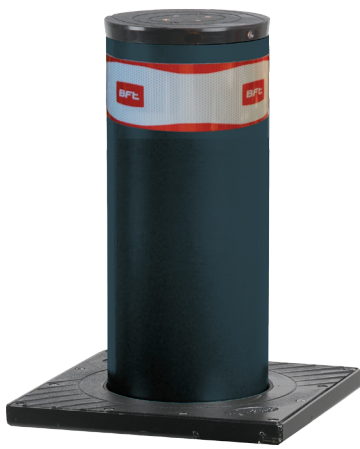
Main accessories: RME 1 BT 24V metal mass detector, one channel / RME 2 230V metal mass detector, two channels/ SPIRA 2x1 magnetic coil 2x1 m

TECHNICAL CHARACTERISTICS

	STOPPY MBB 220/500	STOPPY MBB 220/700
Supply voltage	230V ± 1 0% 50/60 Hz	230V ± 1 0% 50/60 Hz
Hand operated	Spontaneous	Spontaneous
External control unit	PERSEO CBD	PERSEO CBD
Work type	intensive 1,500 movements/day	intensive 1,500 movements/day
Rising time	6 seconds	9 seconds
Protection rating	IP 67	IP 67
Impact resistance	10,500 JOULES	10,500 JOULES
Break-in proof	150,000 JOULES	150,000 JOULES
Operating temperature	- 20° C + 60° C	- 20° C + 60° C
Movement	With slow down on opening and closing	With slow down on opening and closing

Pillar B

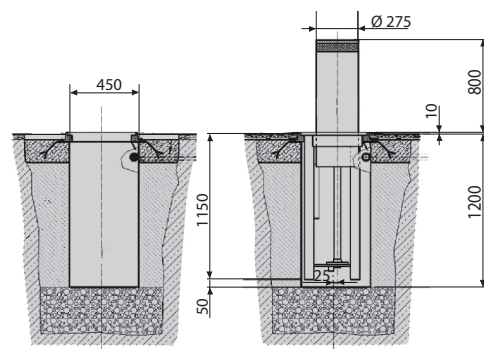
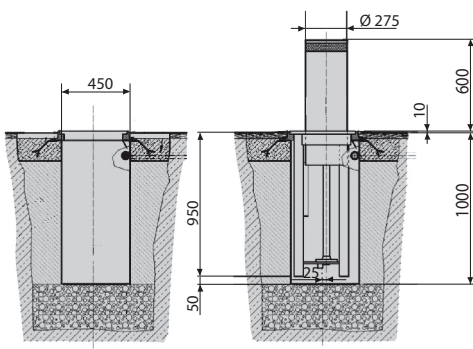
- 230V AC hydraulic bollard for very intensive use. Its size and technical characteristics make it particularly suitable, thanks to the special SD (security) version that keeps the shaft raised in the event of a power failure, for installations to protect sensitive places (ministries, barracks, airports, access to buildings of particular importance, etc.). The standard version, on the other hand, is suitable for public installations where the shaft must lower spontaneously, freeing the passage in the event of a power failure. Designed and built with the aim of simplifying maintenance thanks to the hydraulic pump located under the flange.
- PERSEO CBD control unit with menu programming on the display, automatic routine servicing warning, simultaneous management of up to 4 bollards, integrated receiver and integrated heating element.



PILLAR B Ø275/600
PILLAR B Ø275/600 INOX



PILLAR B Ø275/800
PILLAR B Ø275/800 INOX



PERSEO CBD dedicated control panel: manages up to 4 bollards in parallel, programming menu on the display, integrated heating element and incorporated receiver.

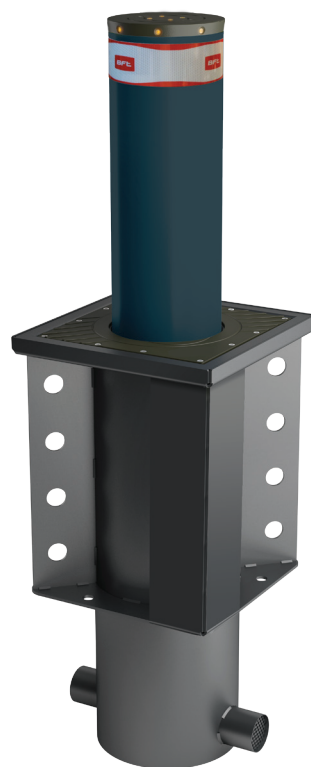
Main accessories: RME 1 BT 24V metal mass detector, one channel / RME 2 230V metal mass detector, two channels/ SPIRA 2x1 magnetic coil 2x1 m

TECHNICAL CHARACTERISTICS

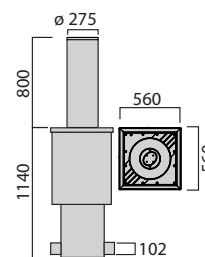
	PILLAR B Ø275/600	PILLAR B Ø275/800
Supply voltage	230V ± 1 0% 50/60 Hz	230V ± 1 0% 50/60 Hz
Hand operated	SPONTANEOUS	SPONTANEOUS
External control unit	EXTERNAL MODE PERSEO CBD	EXTERNAL MODE PERSEO CBD
Work type	3000 movement a day	3000 movement a day
Rising time	5 seconds	6,5 seconds
Protection rating	IP 67	IP 67
Impact resistance	20,000 JOULES	20,000 JOULES
Break-in proof	250,000 JOULES	250,000 JOULES
Operating temperature	- 30° C + 60° C	-30° C + 60° C

XPass B 800/275

→ XPass B 800/275 equivalent antiterrorism bollard, based on reports by an accredited lab according to international standards ASTM2656:2007 M30 - PAS68:2010 7500/50/N2. Protection guaranteed with single bollard. Hydraulic with independent power pack: easy access and maintenance. Suitable for protecting sensitive sites, thanks to the special "SD" version, which keeps the shaft raised in case of a power failure public installations where, standard version for the shaft lowers automatically with no power.



XPASS B 800/275



TECHNICAL CHARACTERISTICS

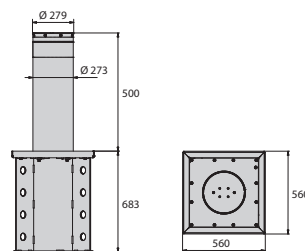
	XPASS B 800/275C L	XPASS B 800/275C L SD	XPASS B 800/275C LI	XPASS B 800/275C LI SD
Voltage	230V	230V	230V	230V
Rod thickness	10mm	10mm	10mm	10mm
Raise time	7 max sec.	7 max sec.	7 max sec.	7 max sec.
Lower time	4 sec.	4 sec.	4 sec.	4 sec.
Rod treatment	RAL 7015 painted steel and reflective film h: 100 mm	RAL 7015 painted steel and reflective film h: 100 mm	AISI 304 or AISI 316 stainless steel	AISI 304 or AISI 316 stainless steel
Control unit	PERSEO CBD 230.P SD or PERSEO CBE 230.P SD	PERSEO CBD 230.P SD or PERSEO CBE 230.P SD	PERSEO CBD 230.P SD or PERSEO CBE 230.P SD	PERSEO CBD 230.P SD or PERSEO CBE 230.P SD
Break-in proof	730,000J	730,000J	730,000J	730,000J
Frequency of use	2000 Op/day	2000 Op/day	2000 Op/day	2000 Op/day
Antiterrorism: reference standard	PAS 68:2010 7500/50/n2 crash simulated	PAS 68:2010 7500/50/n2 crash simulated	PAS 68:2010 7500/50/n2 crash simulated	PAS 68:2010 7500/50/n2 crash simulated
Manual cycle	reversible in absence of voltage	reversible by means of mechanical key with no power	reversible in absence of voltage	reversible by means of mechanical key with no power
Environmental condit.	from -40°C to 60 °C	from -40°C to 60 °C	from -40°C to 60 °C	from -40°C to 60 °C

Ranch D 800/275

→ Fixed bollard with antiterrorism counterframe based on reports by an accredited lab according to international standards ASTM2656:2007 M30 - PAS68:2010 7500/50/N2. Suitable for protecting sensitive sites.



RANCH D 800/275



TECHNICAL CHARACTERISTICS

	RANCH D 800/275C L	RANCH D 800/275C LI
Rod height	800mm	800mm
Rod diameter	275mm	275mm
Rod thickness	10mm	10mm
Operator type	fixed bollard	fixed bollard
Rod treatment	RAL 7015 painted steel and reflective film h: 100 mm	AISI304 or AISI316 stainless steel
Break-in proof	730,000J	730,000J
Antiterrorism: reference standard	PAS 68:2010 7500/50/n2 crash simulated	PAS 68:2010 7500/50/n2 crash simulated

XPass B 1200/330

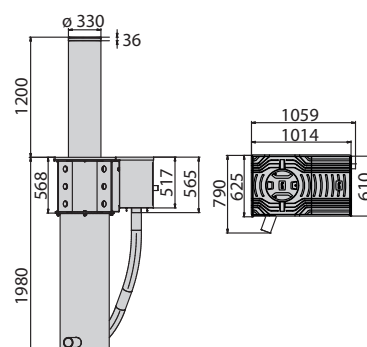
→ XPass B 1200/330 antiterrorism bollard (crash tested) and certified by an accredited laboratory according to the latest international standards IWA14-1:2013 V/7200(N3C)/80/90 (equivalent PAS68:2010 7500/80/N3, ASTM2656:2007 M50). Protection guaranteed even with single bollard. Designed to lower after impact. Independent hydraulic power pack: in case of failure, the other bollards remain functional.

If necessary, the shaft can be lowered manually using the special device and only by authorised personnel.

Antitampering kit as standard.










XPASS B 1200/330



TECHNICAL CHARACTERISTICS

	XPASS B 1200/330C L	XPASS B 1200/330C L ECD	XPASS B 1200/330C LI	XPASS B 1200/330C LI ECD
Voltage	230V	230V	230V	230V
Rod thickness	25mm	25mm	25mm	25mm
Raise time	5.3 max sec.	5.3 max (2.5 per emergency)sec.	5.3 max sec.	5.3 max (2.5 per emergency)sec.
Lower time	4 sec.	4 sec.	4 sec.	4 sec.
Rod treatment	RAL 7015 painted steel and reflective film h: 100 mm	RAL 7015 painted steel and reflective film h: 100 mm	AISI 304 or AISI 316 stainless steel	AISI 304 or AISI 316 stainless steel
Control unit	PERSEO CBE 230.P SD	PERSEO CBE 230.P SD	PERSEO CBE 230.P SD	PERSEO CBE 230.P SD
Break-in proof	2,100,000J	2,100,000J	2,100,000J	2,100,000J
Frequency of use	2000 Op/day	2000 Op/day	2000 Op/day	2000 Op/day
Antiterrorism: reference standard	IWA14-1:2013 v/7200 [n3c]/80/90 single bollard installation	IWA14-1:2013 v/7200 [n3c]/80/90 single bollard installation	IWA14-1:2013 v/7200 [n3c]/80/90 single bollard installation	IWA14-1:2013 v/7200 [n3c]/80/90 single bollard installation
Manual cycle	reversible by means of mechanical key with no power	reversible by means of mechanical key with no power	reversible by means of mechanical key with no power	reversible by means of mechanical key with no power
Environmental condit.	from -40°C to 60 °C	from -40°C to 60 °C	from -40°C to 60 °C	from -40°C to 60 °C

Accessories

	Code	Name	Description
	D110926 00001	SPIRA 2X1	Magnetic loop 2 x 1 m
	P800103	XPASS 800 ALARM	Anti-tampering sensor for hydraulic bollards mod. XPass B 275/800. To be request at the time of order.
	P111001 00003	RME 2	230Vac dual channel metal object detector with installation base
	P111274	RME 1 BT	24Vac single channel metal object detector with installation base
	P800037	TBA	Totem, bottom element containing panel and accessories
	P800038	TSU	Totem, top element for fitting control accessories
	P800039	TL	Traffic-lights totem
	P800040	TPF	Foundation and anchor plate for totem

Control unit

	D113779 00002	PERSEO CBD 230.P SD	Control unit with receiver and integrated heating circuit (to -40°). For all bollard models.
	D113812 00002	PERSEO CBE 230.P SD	Control unit with receiver and incorporated heating circuit (to -40°C) for electro-mechanical and hydraulic bollards. Manages up to 2 operators at the same time

Bft, tuned to you

With Bft, your job gets easier.

Because we don't just create "good" products, that work pretty well.

Our thinking is beyond the short-term.

We are conceiving, designing and creating high-tech solutions that are as advanced and effective as they are reliable and long-lasting.

Because we want to provide tools and services that truly are innovative, that will improve your performance and enhance your skills; and that will make your business easier, increasing its profitability.

Because our focus is on Quality with a capital Q.

We just won't settle for less.

Bft Automation UK Ltd (North)

Unit 8E, Newby Road Industrial Estate
Hazel Grove, Stockport, Cheshire, SK7 5DA
Tel: 0161 456 0456
Fax: 0161 456 9090

www.bft.co.uk

Bft Automation UK Ltd (South)

Unit B, Aerial Business Park
Membury, Berkshire, RG17 7RZ
Tel: 0800 32 88 198
Fax: 0800 32 88 298

www.bft.co.uk

Bft Ireland

Unit D3 City Link Business Park
Old Naas Road, Dublin 12
Tel: 01 4564711
Fax: 01 4508337

www.bftautomation.ie